

# SUN2000-5/8/10KTL-M0 Smart Energy Center



## Higher Revenue

Max. efficiency 98.6%



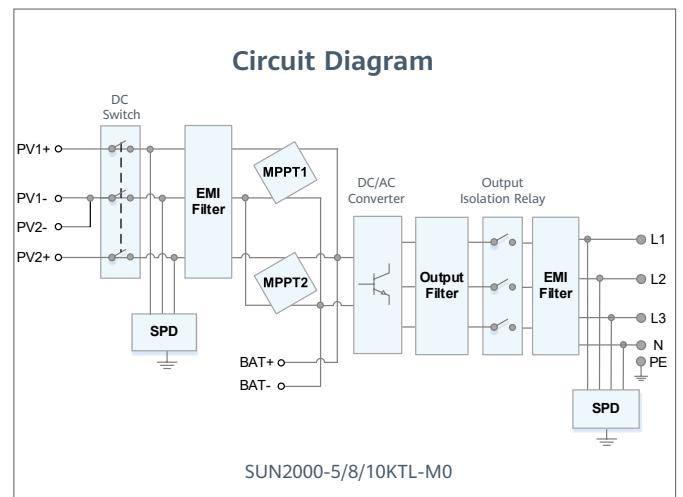
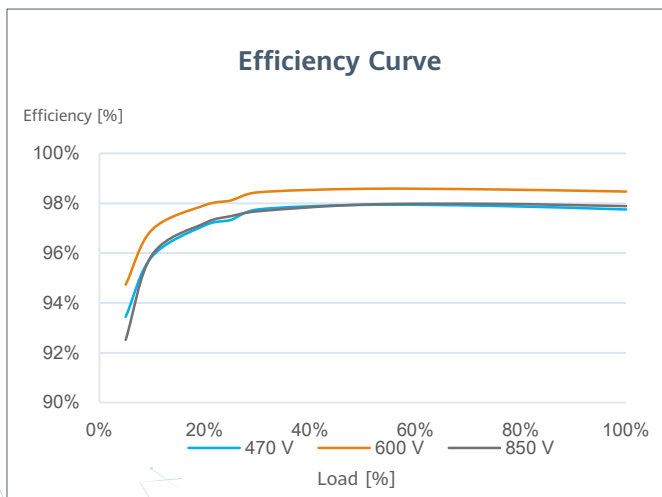
## Simple & Easy

17 kg



## Safe & Reliable

Arc fault protection



SUN2000-5/8/10KTL-M0  
**Technical Specification**

Technical Specification	SUN2000-5KTL-M0	SUN2000-8KTL-M0	SUN2000-10KTL-M0
-------------------------	-----------------	-----------------	------------------

Efficiency			
Max. efficiency	98.4%	98.6%	98.6%
European weighted efficiency	97.5%	98.0%	98.1%

Input			
Max. input voltage <sup>1</sup>	1,100 V		
Operating voltage range <sup>2</sup>	140 V ~ 980 V		
Start-up voltage	200 V		
Full power MPPT voltage range	240 V ~ 850 V	380 V ~ 850 V	470 V ~ 850 V
Rated input voltage	600 V		
Max. input current per MPPT	11 A		
Max. short-circuit current	15 A		
Number of MPP trackers	2		
Max. number of inputs	2		

Output			
Grid connection	Three-phase		
Rated output power	5,000 W	8,000 W	10,000 W
Max. apparent power	5,500 VA	8,800 VA	11,000 VA
Rated output voltage	220 Vac / 380 Vac, 230 Vac / 400 Vac , default 3W / N+PE ; 3W+PE		
Rated AC grid frequency	50 Hz / 60 Hz		
Max. output current	8.5 A	13.5 A	16.9 A
Adjustable power factor	0.8 leading ... 0.8 lagging		
Max. total harmonic distortion	≤ 3 %		

Features & Protections	
Input-side disconnection device	Yes
Anti-Islanding protection	Yes
DC reverse polarity protection	Yes
Insulation monitoring	Yes
DC surge protection	Yes, compatible TYPE II protection class according to EN/IEC 61643-11
AC surge protection	Yes, compatible TYPE II protection class according to EN/IEC 61643-11
Residual current monitoring	Yes
AC overcurrent protection	Yes
AC short-circuit protection	Yes
AC overvoltage protection	Yes
Ripple receiver control	Yes
Arc fault protection (AFCI)	Yes

General Data	
Operating temperature range	-25 ~ + 60 °C (-13 °F ~ 140 °F)
Relative operating humidity	0 %RH ~ 100 %RH
Operating altitude	0 - 4,000 m (13,123 ft.)
Cooling	Natural convection
Display	LED Indicators; Integrated WLAN + FusionSolar App
Communication	RS485; WLAN/Ethernet via Smart Dongle-WLAN-FE; 4G / 3G / 2G via Smart Dongle-4G (Optional)
Weight (incl. mounting bracket)	17 kg (37.5 lb)
Dimension (incl. mounting bracket)	525 * 470 * 166 mm (20.7 * 18.5 * 6.5 inch)
Degree of protection	IP65
Night Time Power Consumption	< 5.5 W

Standard Compliance (more available upon request)	
Safety	EN/IEC 62109-1, EN/IEC 62109-2, IEC62116
Grid connection standards	G98, G99, EN 50438, EN 50549-1, CEI 0-21, VDE-AR-N-4105, AS 4777, C10/11, ABNT, UTE C15-712, RD 1699, TOR D4, IEC61727, DEWA, MEA(5,10KTL-M0), PEA(5,10KTL-M0)

<sup>1</sup> The maximum input voltage is the upper limit of the DC voltage. Any higher input DC voltage would probably damage inverter.  
<sup>2</sup> Any DC input voltage beyond the operating voltage range may result in inverter improper operating.