

# Cheetah 60M 315-335 Watt

MONO PERC MODULE

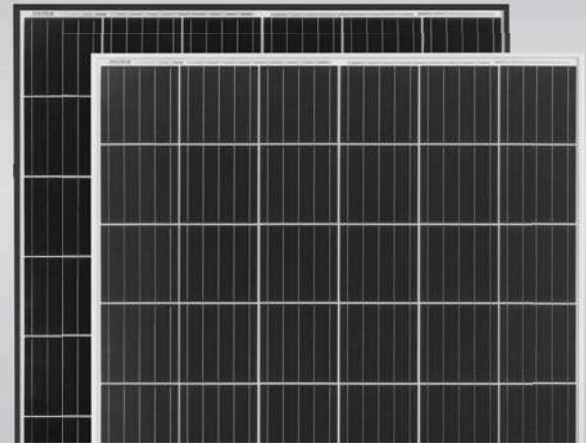
Positive power tolerance of 0~+3%

ISO9001:2008, ISO14001:2004, OHSAS18001 certified factory

IEC61215, IEC61730, UL1703 certified product



PERC



## KEY FEATURES



### 5 Busbar Solar Cell

5 busbar solar cell adopts new technology to improve the efficiency of modules, offers a better aesthetic appearance, making it perfect for rooftop installation.



### High Efficiency

Higher module conversion efficiency (up to 20.08%) benefit from Passivated Emmitter Rear Contact (PERC) technology.



### PID Resistance

Excellent Anti-PID performance guarantee limited power degradation for mass production.



### Low-light Performance

Advanced glass and cell surface textured design ensure excellent performance in low-light environment.



### Severe Weather Resilience

Certified to withstand: wind load (2400 Pascal) and snow load (5400 Pascal).

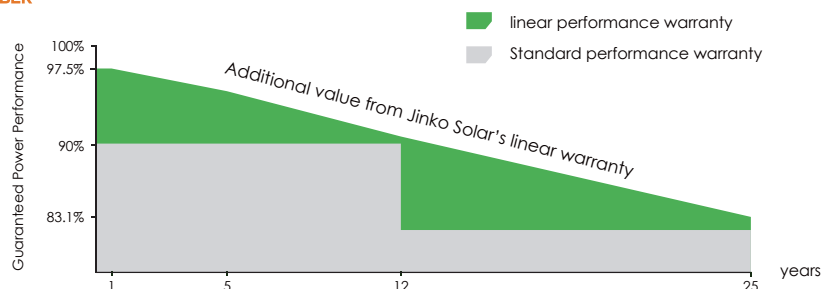


### Durability Against Extreme Environmental Conditions

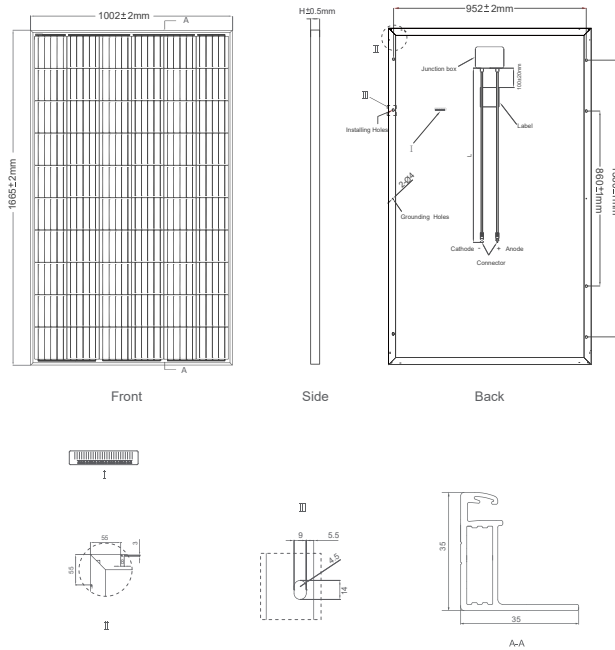
High salt mist and ammonia resistance certified by TUV NORD.

## LINEAR PERFORMANCE WARRANTY

12 Year Product Warranty • 25 Year Linear Power Warranty



## Engineering Drawings

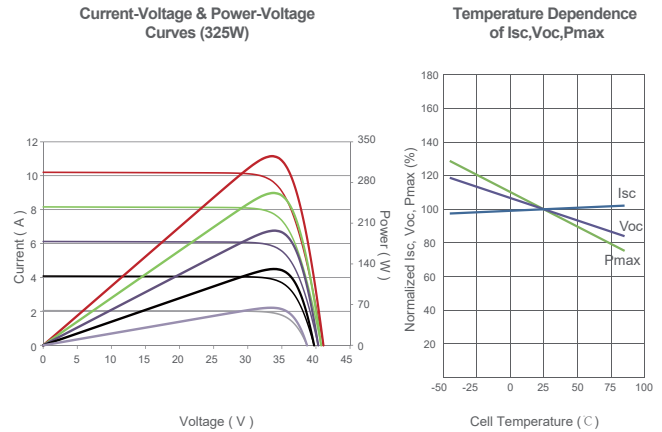


## Packaging Configuration

(Two pallets = One stack)

31pcs/pallet, 62pcs/stack, 868pcs/40'HQ Container

## Electrical Performance & Temperature Dependence



## Mechanical Characteristics

Cell Type	Mono PERC	158.75×158.75mm
No. of cells	60 (6×10)	
Dimensions	1665×1002×35mm (65.55×39.45×1.38 inch)	
Weight	19.0 kg (41.9 lbs)	
Front Glass	3.2mm, Anti-Reflection Coating, High Transmission, Low Iron, Tempered Glass	
Frame	Anodized Aluminium Alloy	
Junction Box	IP67 Rated	
Output Cables	TÜV 1×4.0mm <sup>2</sup> ; Length 900mm or Customized Length	
Connectors	Genuine MC4. JK03M available as an option.	

## SPECIFICATIONS

Module Type	JKM315M-60		JKM320M-60		JKM325M-60		JKM330M-60		JKM335M-60	
	STC	NOCT	STC	NOCT	STC	NOCT	STC	NOCT	STC	NOCT
Maximum Power (Pmax)	315Wp	235Wp	320Wp	239Wp	325Wp	242Wp	330Wp	246Wp	335Wp	250Wp
Maximum Power Voltage (Vmp)	33.2V	31.2V	33.4V	31.4V	33.6V	31.6V	33.8V	31.8V	34.0V	32.0V
Maximum Power Current (Imp)	9.49A	7.56A	9.59A	7.62A	9.68A	7.66A	9.77A	7.74A	9.87A	7.82A
Open-circuit Voltage (Voc)	40.7V	37.6V	40.9V	37.8V	41.1V	38.0V	41.3V	38.2V	41.5V	38.4V
Short-circuit Current (Isc)	10.04A	8.33A	10.15A	8.44A	10.20A	8.54A	10.31A	8.65A	10.36A	8.74A
Module Efficiency STC (%)	18.88%		19.18%		19.48%		19.78%		20.08%	
Operating Temperature (°C)	-40°C~+85°C									
Maximum System Voltage	1000VDC (IEC)									
Maximum Series Fuse Rating	20A									
Power Tolerance	0~+3%									
Temperature Coefficients of Pmax	-0.37%/°C									
Temperature Coefficients of Voc	-0.28%/°C									
Temperature Coefficients of Isc	0.048%/°C									
Nominal Operating Cell Temperature (NOCT)	45±2°C									

STC: Irradiance 1000W/m<sup>2</sup> Cell Temperature 25°C AM=1.5

NOCT: Irradiance 800W/m<sup>2</sup> Ambient Temperature 20°C AM=1.5 Wind Speed 1m/s

\* Power measurement tolerance: ± 3%

The company reserves the final right for explanation on any of the information presented hereby. JKM315-335M-60-A2-EN

Made in China. Production from Vietnam and Malaysia available as an option.