


KOOKABURRA SERIES THE GUARDIAN OF NATURE



AKCOME MODULE KOOKABURRA SERIES



Like us 



Follow us 



Follow us 

@AkcomeAustralia

www.akcome.com.au

MONO PERC HALF-CUT MODULE

25
years

Product warranty on
materials and workmanship

25
years

Linear power
output warranty

*Subject to the terms and conditions contained in the applicable Warranty Statement. Also this 25-year limited product warranty is available only for products installed and operating on residential rooftops in Australia.



High Efficiency



Excellent Low-Irradiance Performance



Harsh Environment Adaptability



Robust Mechanical Durability

KOOKABURRA SERIES

SK9609MHVC-415W

MONO 10BB HALF-CUT MODULE

ELECTRICAL PARAMETERS @ STC

Max. Power Output Pmax (W)	395	405	415	420
Max. Power Voltage Vmp (V)	31.25	31.47	31.71	31.82
Max. Power Current Imp (A)	12.64	12.87	13.09	13.20
Open Circuit Voltage Voc (V)	37.02	37.20	37.38	37.47
Short Circuit Current Isc (A)	13.51	13.74	13.96	14.07
Module Efficiency (%)	20.23	20.74	21.26	21.51

*STC (Standard Test Condition): Irradiance 1000W/m², Cell Temperature 25°C, Air Mass 1.5

*Measurement Tolerance (±3.0%)

ELECTRICAL PARAMETERS @ NOCT

Max. Power Output Pmax (W)	292	299	309	313
Max. Power Voltage Vmp (V)	28.43	28.64	28.92	29.03
Max. Power Current Imp (A)	10.26	10.43	10.68	10.77
Open Circuit Voltage Voc (V)	34.20	34.35	34.76	34.83
Short Circuit Current Isc (A)	10.91	11.10	11.27	11.36

*NOCT(Nominal Operating Cell Temperature): Irradiance 800W/m², Ambient Temperature 20°C, Wind Speed 1m/s

TEMPERATURE COEFFICIENTS

Temperature Coefficients of Pmp	-0.36%/°C
Temperature Coefficients of Voc	-0.29%/°C
Temperature Coefficients of Isc	+0.048%/°C

MECHANICAL PARAMETERS

Cell Type	Mono 182x91mm
Number of Cells	108pcs(6x18)
Dimensions (L*W*H)	1722x1134x30mm
Weight	21.5kg
Frame	Anodised Aluminum
Junction Box	IP68, 3 bypass diodes
Cable, Length	4.0mm ² , 300mm
Conectors	Stäubli:PV-KS(B)T4-EVO2/XY_UR

OPERATING CONDITION

Maximum System Voltage(V)	1500(DC)
Operating Temperature(°C)	-40~+85
Max. Wind Load / Snow Load(pa)	1600/3600 (Mechanical Load Safety Factor 1.5)
Max. Over Current(A)	25
Power Tolerance	0~+3%
Application Class	Class A
Fire Rating	Class C
NOCT(°C)	45±2

PACKAGE INFORMATION

Container 40'HQ	936pcs
Quantity / Pallet	36pcs

* Certification requirements vary in different markets, please consult with Akcome Optronics sales team for appropriate certification.

Certificate holder: Suzhou Akcome Optronics Science & Technology Co., Ltd.

Akcome Energy Australia Pty Ltd

Email: businesses@akcome.com.au Phone: 1300 553 188

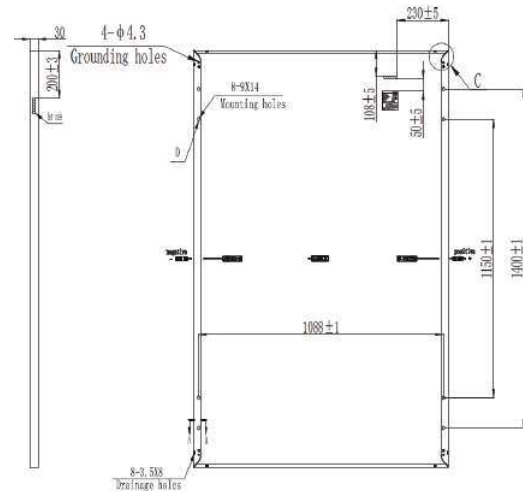


@AkcomeAustralia

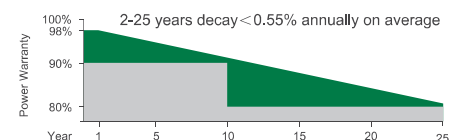
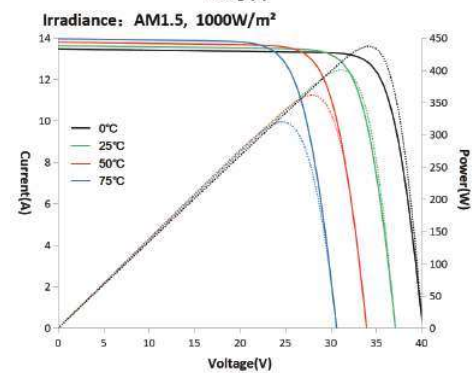
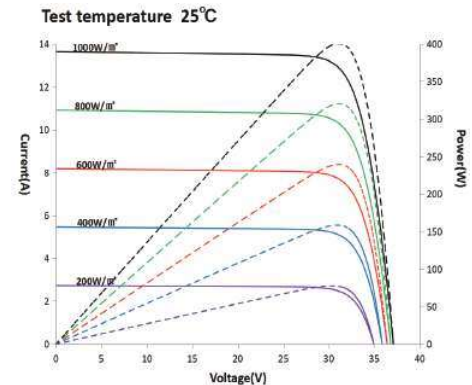
www.akcome.com.au

Ver: 20220803

ASSEMBLY DRAWING (Unit: mm)



I-V CURVES



Made in China

